



Features

- 10.1" LCD Display With LED Backlight
- Intel Pentium Quad Core Processor
- Panel Mount, Wall Mount, VESA Mount or Desktop Stand
- Customizable IP65 Rated Front Bezel
- Slim, Fanless Design
- 60601-1 4th Edition Certified

Technical Specifications

Primary Components

| | |
|------------------|---|
| Processor Family | Intel Pentium Braswell |
| Processor Model | N3710 |
| Processor Speed | 1.6 GHz |
| Memory Type | 1x DDR3L SO-DIMM |
| Memory Support | 2GB, 4GB, 8GB |
| Storage type | 1x 2.5" SATA Drive Bay for SSD/HDD, mSATA |
| Storage support | 32GB-1TB |

Display

| | |
|---------------|--------------------|
| Screen Size | 10.1" |
| Resolution | 1280 x 800 (WXGA) |
| Screen Ratio | 16:10 |
| Brightness | 350 nits |
| Viewing Angle | 170° (H), 170° (V) |

Touch Screen

| | |
|--------------|------------------------------------|
| Touch Screen | Projected Capacitive (Multi-touch) |
|--------------|------------------------------------|

Thermal and Environmental

| | |
|-----------------------|--------------------------|
| Operating Temperature | Array (32°F – 104°F) |
| Humidity Range | 20% – 90% Non-condensing |
| Cooling Solution | Passive – Fanless |

Enclosure

| | |
|------------------|---|
| Material | Plastic |
| Ip Rating | IP65 Front Bezel |
| Control Buttons | Audio Down, Audio Up, Brightness Down, Brightness Up, Display on/off, HDD LED, Min-in (optional), Power LED |
| Vibration Rating | 2G, 5Hz – 500Hz, random for SSD |
| Mounting Options | Desktop Stand, Panel Mount, VESA Mount, Wall Mount |

Peripherals & Wireless Connectivity

| | |
|------|------------------|
| WiFi | WLAN/GPRS/GSM/4G |
| RFID | Supports RFID |

External I/O ports

| | |
|------------------------|---|
| USB | 2x USB 2.0, 2x USB 3.0 |
| Serial / Com | 2x COM |
| Serial Protocol Detail | 1x RS-232/422/485, default RS-232 (COM 1) |
| Ethernet / LAN | 2x RJ45 GbE LAN |

Dimensions / Weight

| | |
|------------|---|
| Weight | 1.08 KG (2.4 lbs) |
| Dimensions | 260.8 x 194.1 x 38 mm (10.3 x 7.6 x 1.5 in) |

Power

| | |
|------------------------|-------------------------------------|
| Input Voltage Range | 9-36V DC |
| Max Power consumption | 40.3W |
| Standard Power Adapter | 100 ~ 240 VAC-DC, 65W power adapter |

Certification

| | |
|----------------|------------------------------|
| Certifications | 60601-1 4th Edition, CE, FCC |
|----------------|------------------------------|

Operating Systems

| | |
|---------|--|
| Windows | Windows 10 Pro, Windows 8.1 Pro, Windows 7 Pro |
|---------|--|

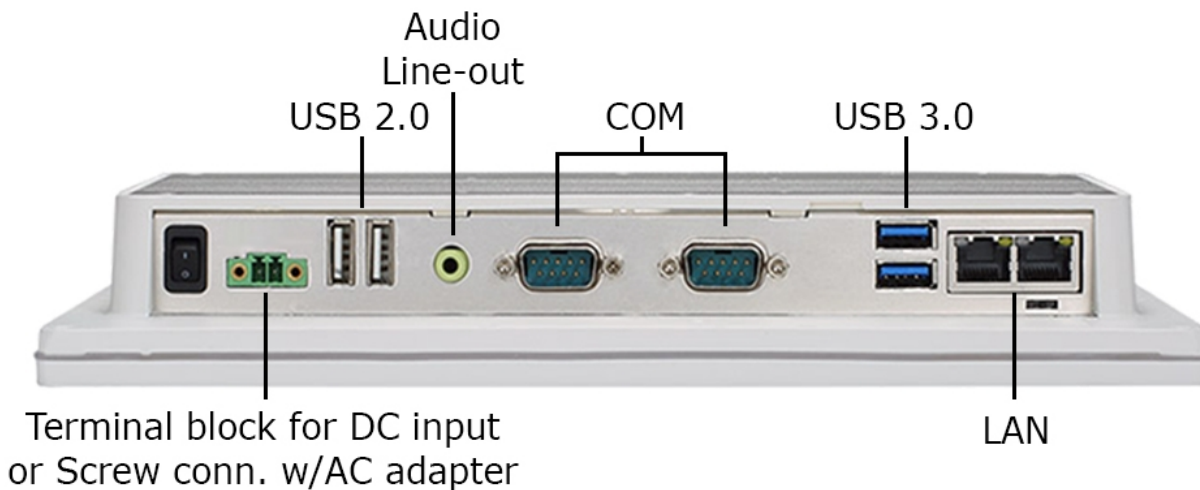
Warranty

| | |
|----------|---------------|
| Warranty | Up to 5 Years |
|----------|---------------|

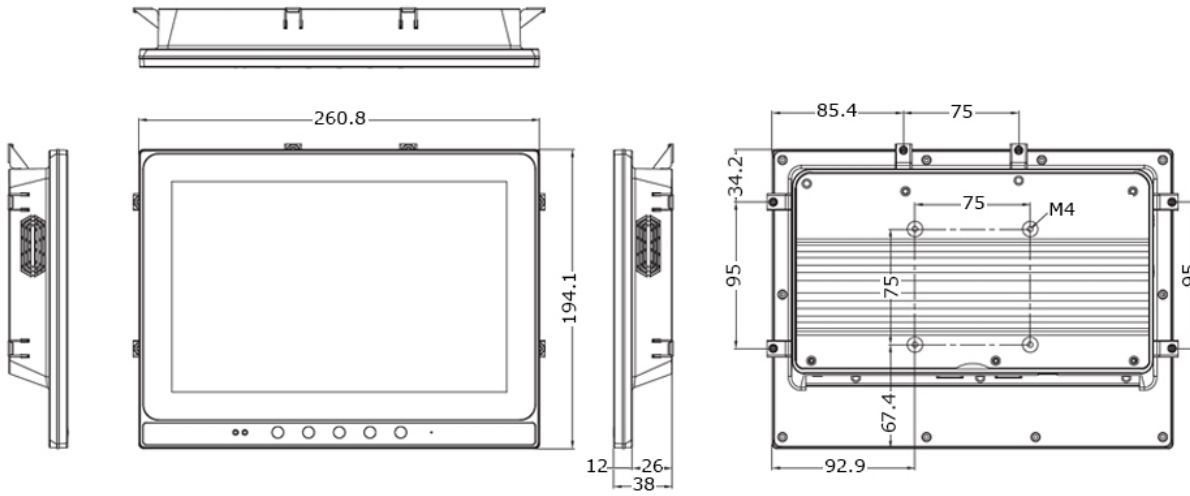
Expansion Slots

| | |
|--------------------|------------------------|
| Internal Mini PCIe | 1x mSATA, 1x Mini-PCIe |
|--------------------|------------------------|

Inputs / Outputs



Technical Drawings



All specifications are subject to change without notice.