



## Features

- 10" Display with 800 x 600 Resolution
- Bay Trail Celeron J1900 Quad-Core CPU
- Highly Reliable Thermal Design for 24/7 Use
- Resistive Touchscreen with IP66 Front Bezel
- 2 Mini PCIe Sockets for add-on Expansion

## Technical Specifications

### Primary Components

Processor Family	Intel Celeron Bay Trail
Processor Model	J1900 Quad Core
Processor Speed	2.0 GHz
Memory Type	2x DDR3L SO-DIMM
Memory Support	2GB, 4GB, 8GB
Storage type	1x 2.5" SATA Drive Bay for SSD/HDD
Storage support	32GB-1TB

### Display

Screen Size	10"
Resolution	800 x 600 (SVGA)
Screen Ratio	4:3
Brightness	230 nits
Contrast Ratio	400:1
Viewing Angle	130° (H), 110° (V)

### Touch Screen

Touch Screen	Resistive
--------------	-----------

### Expansion Slots

Internal Mini PCIe	2x Mini-PCIe
video card support	Intel HD Graphics

### Thermal and Environmental

Operating Temperature	Array (32°F – 122°F)
Storage Temperature	Array (-4°F – 149°F)
Humidity Range	10% – 90% Non-condensing
Cooling Solution	Passive – Fanless with Heatsink

### Enclosure

Material	Aluminum, Optional Stainless Steel Bezel, Steel
Ip Rating	IP66 Front Bezel
Color	Black
Led Indicator Light	HDD Access, Power
Control Buttons	Power Reset
Mounting Options	Panel Mount, VESA Mount

**External I/O ports**

USB	3x USB 2.0, 1x USB 3.0
Serial / Com	3x COM
Serial Protocol Detail	2x RS-232, 1x RS-232/422/485 (RS485 supports auto flow control)
Ethernet / LAN	2x RJ45 GbE LAN
Video Outputs	1x DVI-I
Audio	1x Audio Line-In, 1x Audio Line-Out
Power Input Port	4-Pole DIN (latching)

**Peripherals & Wireless Connectivity**

WiFi	Optional WLAN
------	---------------

**Power**

Input Voltage Range	7-32V DC
Max Power consumption	24.1W
Standard Power Adapter	AC 90~264V / 47~63Hz / DC Output 12V, 57W

**Dimensions / Weight**

Weight	3.5 KG (7.7 lbs)
Dimensions	313 x 240 x 48.5 mm (12.3 x 9.4 x 1.9 in)

**Operating Systems**

Windows	Windows 10 IoT, Windows 10 Pro, Windows 7 Pro
---------	---

**Certification**

Certifications	CE, FCC, VCCI
----------------	---------------

**Compatibility**

Security Hardware	Optional TPM 2.0
-------------------	------------------

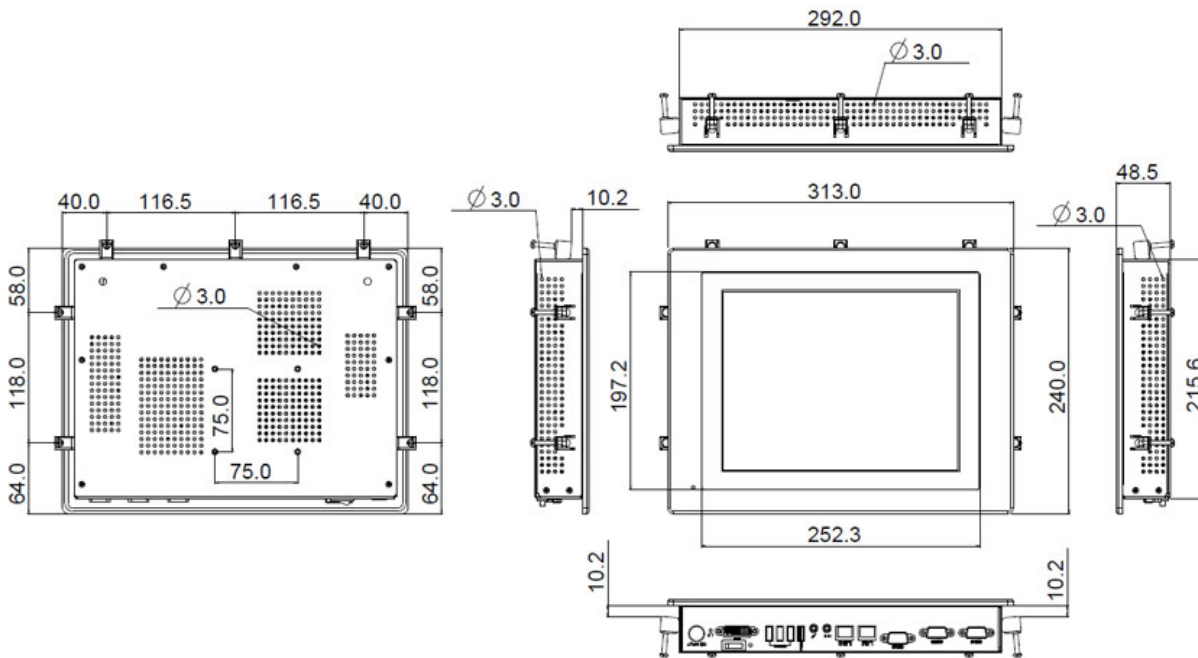
**Warranty**

Warranty	Up to 5 Years
----------	---------------

**Inputs / Outputs**



Technical Drawings



*All specifications are subject to change without notice.*