



Features

- 10.1" LCD with Resistive or P-Capacitive Touchscreen
- Intel Celeron N2930 CPU
- IP66/IP69K Compliant Front Bezel
- Aluminum Back Cover
- Fanless Design

Technical Specifications

Primary Components

| | |
|------------------|--|
| Processor Family | Intel Celeron Bay Trail |
| Processor Model | N2930 |
| Processor Speed | 1.83 GHz |
| Memory Type | Onboard DDR3 |
| Memory Support | 4GB |
| Storage type | 1x 2.5" SATA Drive Bay for SSD/HDD (easily accessible) |
| Storage support | 32GB-1TB |

Display

| | |
|----------------------------|---|
| Screen Size | 10.1" |
| Resolution | 1280 x 800 (WXGA) |
| Screen Ratio | 16:10 |
| Brightness | 350 nits, Optional 1000 nit High Brightness |
| Contrast Ratio | 800:1 |
| Viewing Angle | 170° (H), 170° (V) |
| Number of Colors Supported | 16.7M |

Expansion Slots

| | |
|--------------------|--------------|
| Internal Mini PCIe | 1x Mini-PCIe |
|--------------------|--------------|

Thermal and Environmental

| | |
|-----------------------|--------------------------|
| Operating Temperature | Array (32°F – 122°F) |
| Storage Temperature | Array (-22°F – 158°F) |
| Storage Humidity | 10% – 90% Non-condensing |
| Cooling Solution | Passive – Fanless |

Touch Screen

| | |
|--------------------|--|
| Touch Screen | Projected Capacitive, Resistive |
| Light Transmission | Over 80% (Resistive), Over 90% (P-Cap) |
| Lifetime Usage | 25,000 hrs, 50,000 hrs (High Brightness) |

Enclosure

| | |
|-----------------------------|---|
| Material | Aluminum, SUS304 Stainless Steel, Optional SUS316 Stainless Steel |
| Ip Rating | IP66 Front Bezel, IP69K Front Bezel |
| Mounting Options | Panel Mount, VESA 100 Mount |
| Approved Cleaning Solutions | Alcohol, Chlorine and Compounds, Glutaraldehyde, Hydrogen Peroxide, Ortho-phthalaldehyde (OPA), Quaternary Ammonium Compounds |
| Cleaning Instructions | View instructions here |

External I/O ports

| | |
|------------------------|--|
| USB | 2x USB 3.0 |
| Serial / Com | 2x COM |
| Serial Protocol Detail | 1x RS-232/422/485 DB-9, default RS-232(COM1), 1x RS-232 DB-9(COM2) |
| Ethernet / LAN | 2x RJ45 GbE LAN |
| Video Outputs | 1x Optional HDMI |
| Audio | 1x Audio Line-Out |
| Power Input Port | 3-Pin DC-In (Phoenix Type) |

Dimensions / Weight

| | |
|------------|---|
| Weight | 1.9 KG (4.2 lbs) |
| Dimensions | 296 x 200 x 47 mm (11.7 x 7.9 x 1.9 in) |

Power

| | |
|------------------------|----------------------------|
| Input Voltage Range | 9-36V DC |
| Max Power consumption | 14W |
| Standard Power Adapter | Optional 12V AC/DC Adapter |

Certification

| | |
|----------------|--|
| Certifications | CE, EN 1672-2 Complaint (PCAP Touchscreen Only), FCC Class A |
|----------------|--|

Operating Systems

| | |
|---------|--|
| Windows | Windows 10 IoT, Windows 10 Pro, Windows 8.1 Pro, Windows 7 Pro |
|---------|--|

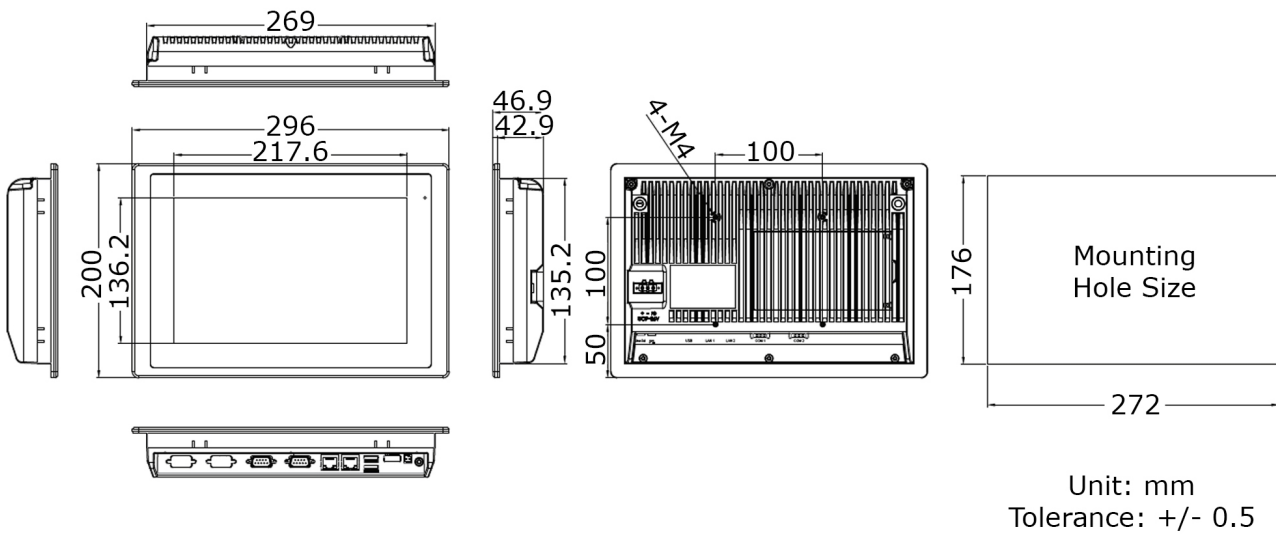
Warranty

| | |
|----------|---------------|
| Warranty | Up to 5 Years |
|----------|---------------|

Inputs / Outputs



Technical Drawings



All specifications are subject to change without notice.