



Features

- 10.1" True Flat Panel Touch Screen
- Intel Bay Trail Quad Core N2930 1.83GHz CPU
- Onboard DDR3L 4GB Memory
- Fanless Design and Ultra-low Power Usage
- IP66 Protected Front with Aluminum Housing
- 1280 x 800 Display Resolution
- Optional PoE (Power over Ethernet)

Technical Specifications

Primary Components

Processor Family	Intel Celeron Bay Trail
Processor Model	N2930
Processor Speed	1.83 GHz
Memory Type	Onboard DDR3
Memory Support	4GB
Storage type	1x 2.5" SATA Drive Bay for SSD/HDD
Storage support	32GB-1TB

Display

Screen Size	10.1"
Resolution	1280 x 800 (WXGA)
Screen Ratio	16:10
Brightness	350 nits
Contrast Ratio	800:1
Viewing Angle	160° (H), 160° (V)

Touch Screen

Touch Screen	Resistive
Light Transmission	Over 80% (Resistive), Over 90% (P-Cap)

Expansion Slots

Internal Mini PCIe	1x Mini-PCIe
--------------------	--------------

Thermal and Environmental

Operating Temperature	Array (-4°F – 140°F)
Storage Temperature	Array (-22°F – 158°F)
Humidity Range	10% – 90% Non-condensing
Cooling Solution	Passive – Fanless with Heatsink

Enclosure

Material	Aluminum
Ip Rating	IP66 Front Bezel
Mounting Options	Panel Mount, VESA Mount

External I/O ports

USB	2x USB 3.0
Serial / Com	2x COM
Serial Protocol Detail	1x RS-232/422/485 DB-9, default RS-232(COM1), 1x RS-232 DB-9(COM2)
Ethernet / LAN	2x RJ45 GbE LAN
Other Ports	1x 2-Pin DC Power Switch Connector
Audio	1x Optional Line in by RCA Jack
Power Input Port	3-Pin DC-In (Phoenix Type)

Dimensions / Weight

Weight	2.1 KG (4.6 lbs)
Dimensions	285 x 49 x 189 mm (11.2 x 1.9 x 7.4 in)

Power

Input Voltage Range	9-32V DC
Standard Power Adapter	Optional 12V AC/DC Adapter

Certification

Certifications	CE, FCC Class A, UL 60950
----------------	---------------------------

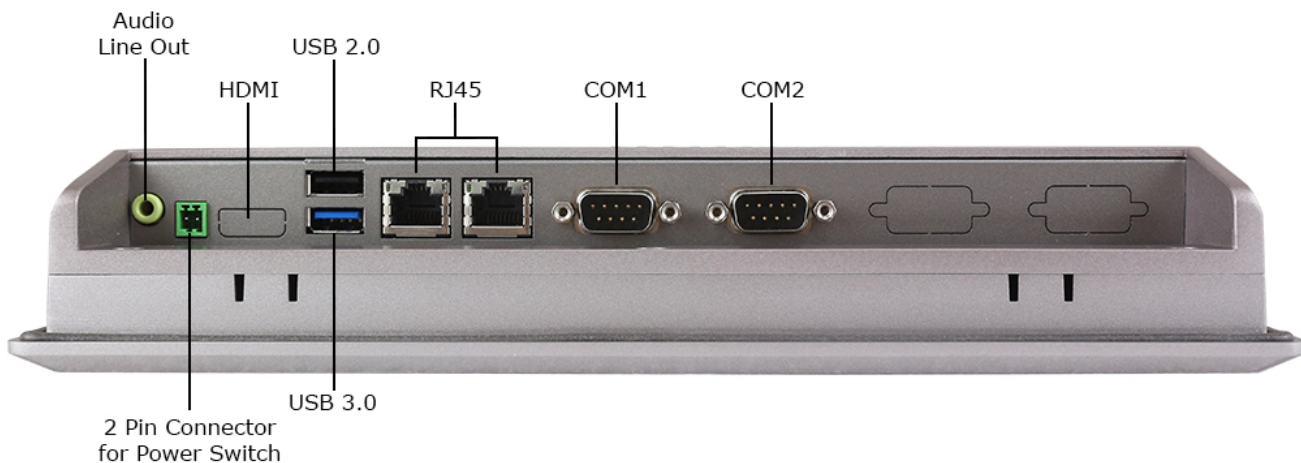
Operating Systems

Windows	Windows 10 IoT, Windows 10 Pro, Windows 8.1 Pro, Windows 7 Pro
Linux	Linux

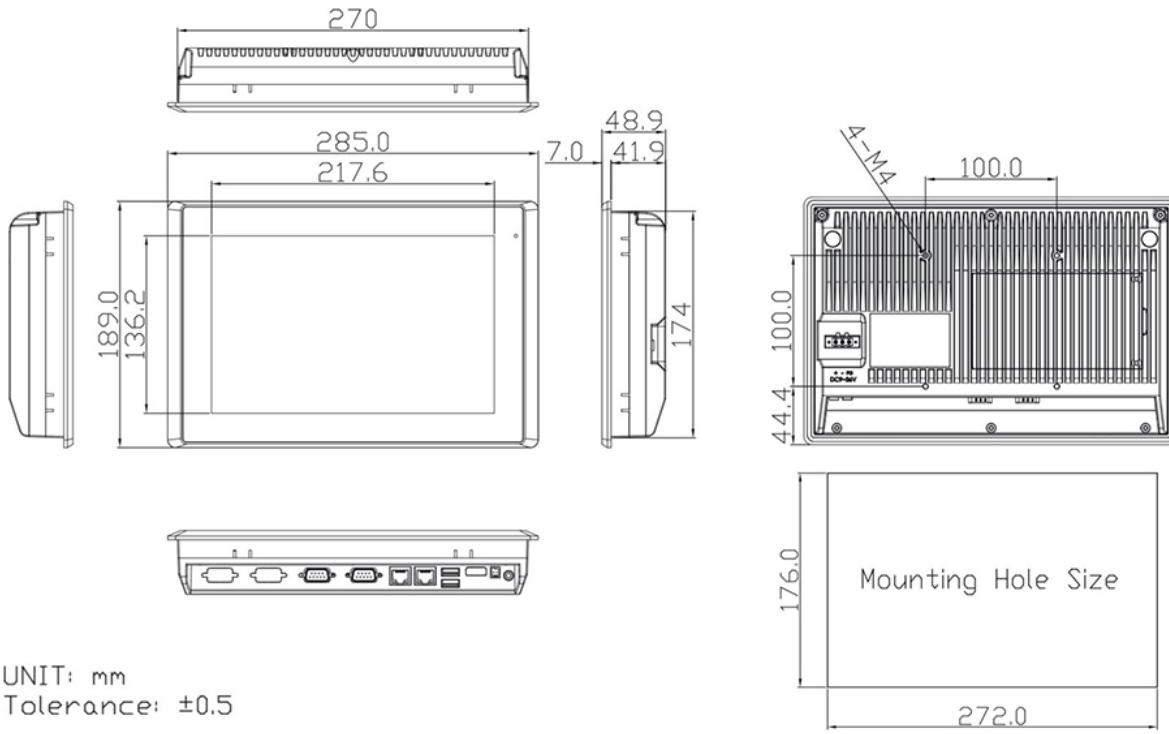
Warranty

Warranty	Up to 5 Years
----------	---------------

Inputs / Outputs



Technical Drawings



All specifications are subject to change without notice.