



## Features

- 10.1" LCD with 1280 x 800 Resolution
- Rugged Die Cast Aluminum Chassis
- Optional Sunlight Readable 1000 Nit LCD
- Optional Optical Bonding
- IP66 Compliant Front Panel
- Resistive or Projected Capacitive Touchscreen

## Technical Specifications

### Display

Screen Size	10.1"
Resolution	1280 x 800 (WXGA)
Screen Ratio	16:10
Brightness	350 nits, Optional 1000 nit High Brightness
Contrast Ratio	500:1
Viewing Angle	170° (H), 170° (V)
Number of Colors Supported	16.7M

### Touch Screen

Touch Screen	Projected Capacitive, Resistive
Light Transmission	Over 80% (Resistive), Over 90% (P-Cap)
Lifetime Usage	40,000 hrs, 50,000 hrs (High Brightness)

### External I/O ports

USB	1x USB Type B Default (Optional RS-232 DB9)
Video Inputs	1x HDMI, 1x DVI-D, 1x DisplayPort, 1x VGA
Audio	1x 3.5mm Audio Line-Out
Power Input Port	3-Pin DC-In (Phoenix Type)

### Enclosure

Material	Aluminum
Ip Rating	IP66 Front Bezel
Color	Silver
Mounting Options	Panel Mount, VESA 100 Mount
Approved Cleaning Solutions	Acetone, Alcohol, Club Soda, Hydrochloric Acid, Methyl Alcohol, Mineral Spirits, Nitric Acid, Sulfuric Acid (low concentration), Vinegar, Warm Water

Cleaning Instructions [View instructions here](#)

### Dimensions / Weight

Weight	2.1 KG (4.6 lbs)
Dimensions	285 x 189 x 48.9 mm (11.2 x 7.4 x 1.9 in)

### Certification

Certifications	CE, FCC Class A
----------------	-----------------

**Power**

Input Voltage Range 9-32V DC  
Max Power consumption 6.2W  
Standard Power Adapter Optional 12V AC/DC Adapter

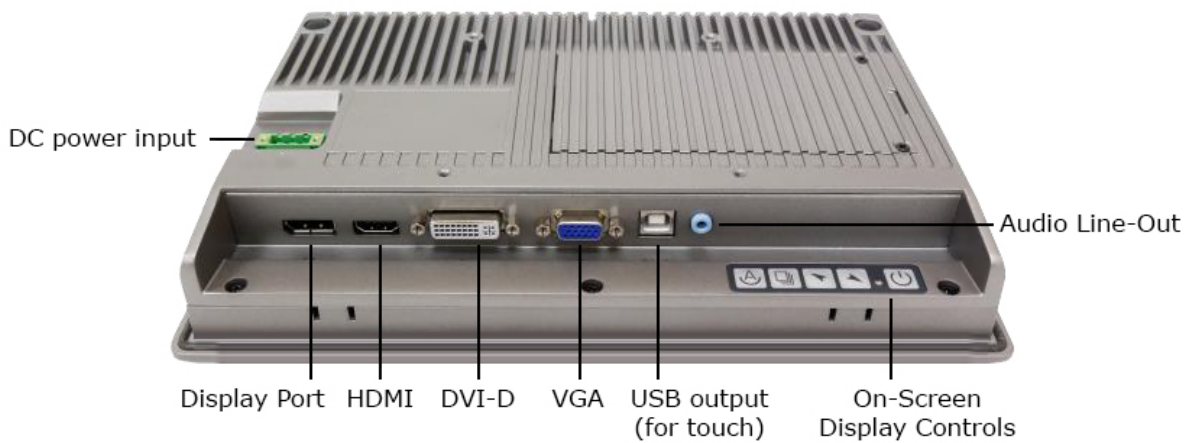
**Warranty**

Warranty Up to 5 Years

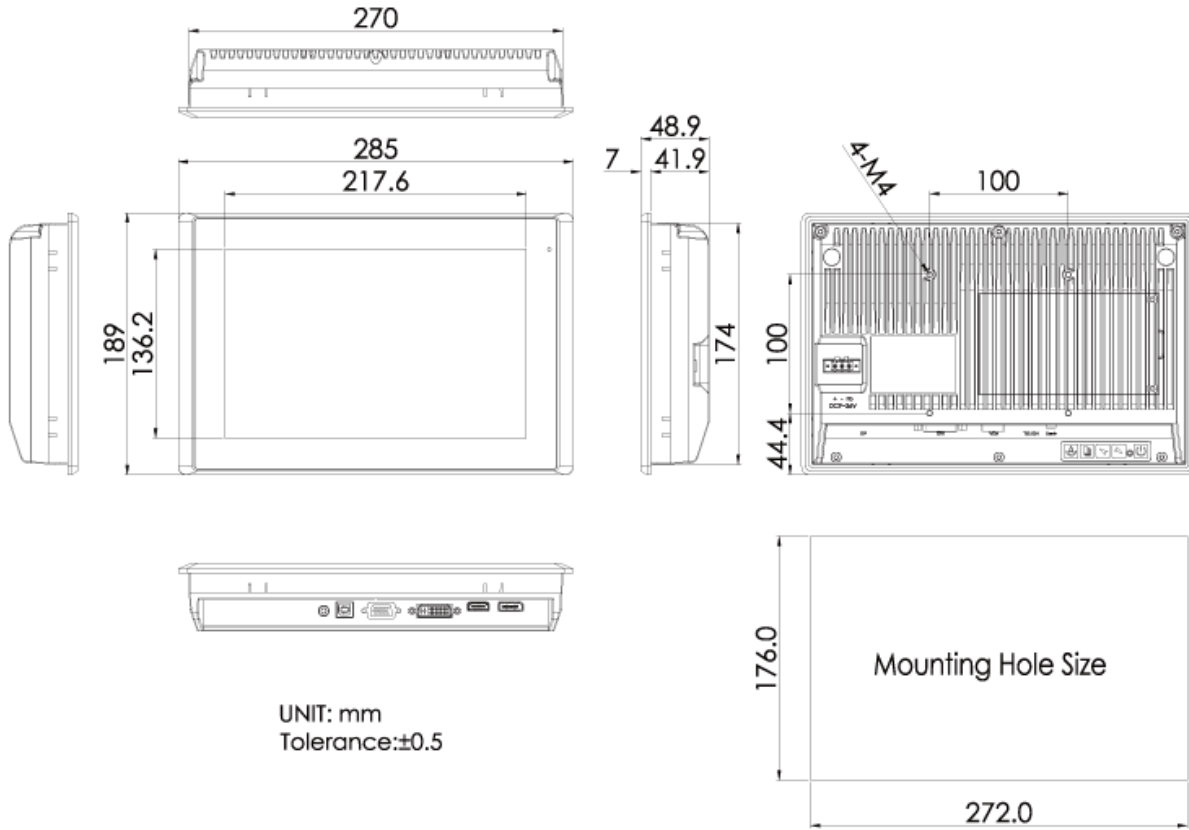
**Thermal and Environmental**

Operating Temperature Array (-4°F – 140°F)  
Storage Temperature Array (-22°F – 158°F)  
Storage Humidity 10% – 90% Non-condensing  
Cooling Solution Passive – Fanless

**Inputs / Outputs**



Technical Drawings



All specifications are subject to change without notice.